

GEAR SERIES
DİŞLİ SERİSİ / SERIE D'ENGRENAGE

30'

CONNECTION TYPE
BAĞLANTI TİPİ / TYPE DE CONNEXION

UNI/T1

DIRECTION OF ROTATION
DÖNÜŞ YÖNÜ / SENSE DE ROTATION

BI-DIRECTIONAL
ÇİFT YÖNLÜ / DOUBLE SENSE

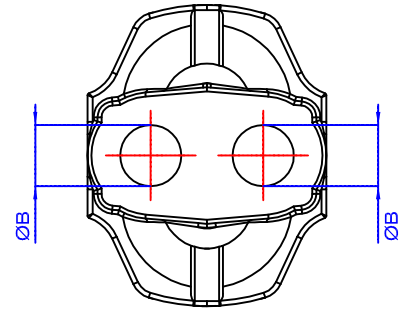
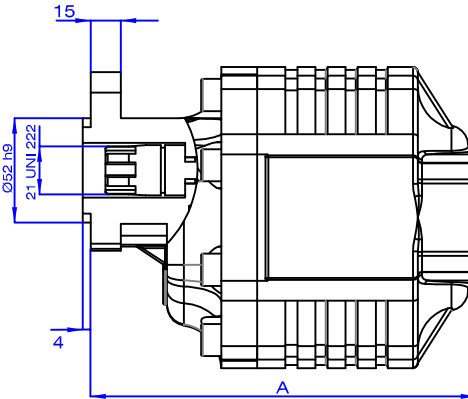
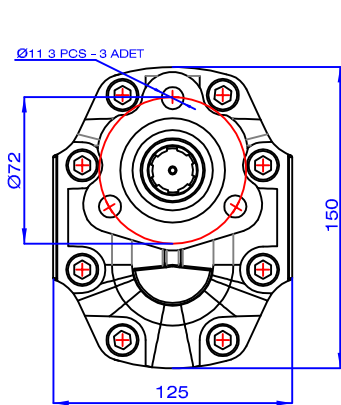
AVERAGE AMBIENT TEMPERATURE. ORTALAMA ORTAM SICAKLIĞI / Moyenne de Température Ambiante	<	-10°C	+10°C	>
	/	/	/	/
	-10°C	+10°C	+35°C	+35°C
VG (cSt = mm ² /s)	22	32	46	68
WORKING TEMPERATURE ÇALIŞMA SICAKLIK ARALIĞI / Température d'Opération	-15°C / +100°C			

TECHNICAL DATAS

TEKNİK VERİLER - DONNES TECHNIQUE

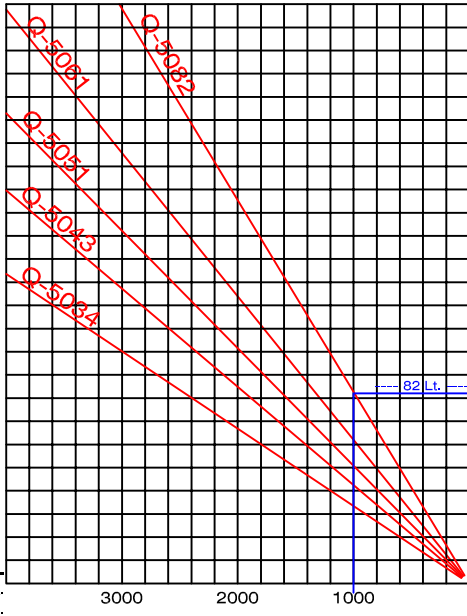
TYPE CODE KOD	DISPLACEMENT DEPLASMAN Déplacement Cm ³ /rev.	CONTINUOUS OPERATING PRESSURE SÜREKLİ BASINÇ ARALIĞI / Pression de Travail en Continue	PEAK PRESSURE Test / PİK BASINCI / Pression de Test	MAX. CONTINUOUS SPEED MAKS. SÜREKLİ ÇALIŞMA HIZI / Vitesse de Travail Continue Max.	MIN. INTERMITTENT SPEED MİN. ÇALIŞMA HIZI / Vitesse de Travail intermittente Minimale	WEIGHT AĞIRLIK / Poids
Z-Q-5034-UNI-X	34	290 Bar (Max.)	325 Bar (Max.)	2200 Rpm. D./Dak.-Tr/Min	350 Rpm. D./Dak.-Tr/Min	10,2 kg.
Z-Q-5043-UNI-X	43	270 Bar (Max.)	295 Bar (Max.)	2200 Rpm. D./Dak.-Tr/Min	350 Rpm. D./Dak.-Tr/Min	10,7 kg.
Z-Q-5051-UNI-X	51	230 Bar (Max.)	255 Bar (Max.)	2200 Rpm. D./Dak.-Tr/Min	300 Rpm. D./Dak.-Tr/Min	11,2 kg.
Z-Q-5061-UNI-X	61	210 Bar (Max.)	230 Bar (Max.)	1800 Rpm. D./Dak.-Tr/Min	300 Rpm. D./Dak.-Tr/Min	11,7 kg.
Z-Q-5082-UNI-X	82	200 Bar (Max.)	220 Bar (Max.)	1500 Rpm. D./Dak.-Tr/Min	300 Rpm. D./Dak.-Tr/Min	12,3 kg.

TYPE CODE KOD	A (mm)	B
Z-Q-5034-UNI-X	162	G 3/4
Z-Q-5043-UNI-X	167	G 3/4
Z-Q-5051-UNI-X	172	G 1
Z-Q-5061-UNI-X	179	G 1
Z-Q-5082-UNI-X	192	G 1



CAPACITY

KAPASİTE / CAPACITE



POWER INPUT

GÜÇ GİRİŞİ / ENTREE PUISSANCE

