



PİSTONLU POMPA

PISTON PUMP

POMPE A PISTON

EKSENEL HİDROLİK POMPA

AXIAL HYDRAULIC PUMP

POMPE HYDRAULIQUE AXIALE



Uygun Vizkozite Aralığı
Optimum Viscosity Field
Viscosité Optimum Convenable

cST15
cST35

Çalışma Sıcaklığı
Working Temperature
Température d'Opération

-10 °C
+80 °C

Dönüş Yönü
Direction Of Rotation
Direction De Rotation

Sağ ve Sol
Right & Left
Droite & Gauche

Tip - Kod Type - Code	12AXP	17AXP	25AXP	35AXP	40AXP	45AXP	55AXP	65AXP	85AXP	105AXP
Debi Verim / Deby / Débit 500 d.dk R/pm Tr/Min	6.2 LT.	8.4 LT.	12.6 LT.	17.0 LT.	20.5 LT.	23.4 LT.	28.0 LT.	31.9 LT.	41.5 LT.	54.0 LT.
Debi Verim / Deby / Débit 1000 d.dk R/pm Tr/Min	12.5 LT.	17.0 LT.	25.3 LT.	34.2 LT.	41.1 LT.	47.0 LT.	56.0 LT.	63.5 LT.	83.6 LT.	108 LT.
Debi Verim / Deby / Débit 1500 d.dk R/pm Tr/Min	18.8 LT.	25.4 LT.	38 LT.	51.3 LT.	61.7 LT.	70.5 LT.	84.0 LT.	95.3 LT.	125.4 LT.	162 LT.
Hacim Dis./Cylindr. cm ³ /Dv. cm ³ /Rev. cm ³ /Tr.	12.5	17.0	25.3	34.2	41.1	47.0	56.0	63.5	83.6	108
Maksimum Çalışma Hızı Max. Work. Speed	2300	2300	2300	2300	1900	1900	1900	1900	1500	1500
Vitesse Max. de Service D./Dak. R./M. - Tr/Min.	3000	3000	3000	3000	2500	2500	2500	2500	2000	2000
Maksimum Çalışma Basıncı Max. Work. Pressure Pression Max. de Service	400	400	400	400	400	400	400	400	400	400
Ağırlık / Weight / Poids	8.5	8.5	9.0	9.0	12.0	12.0	12.0	12.0	17.5	17.5

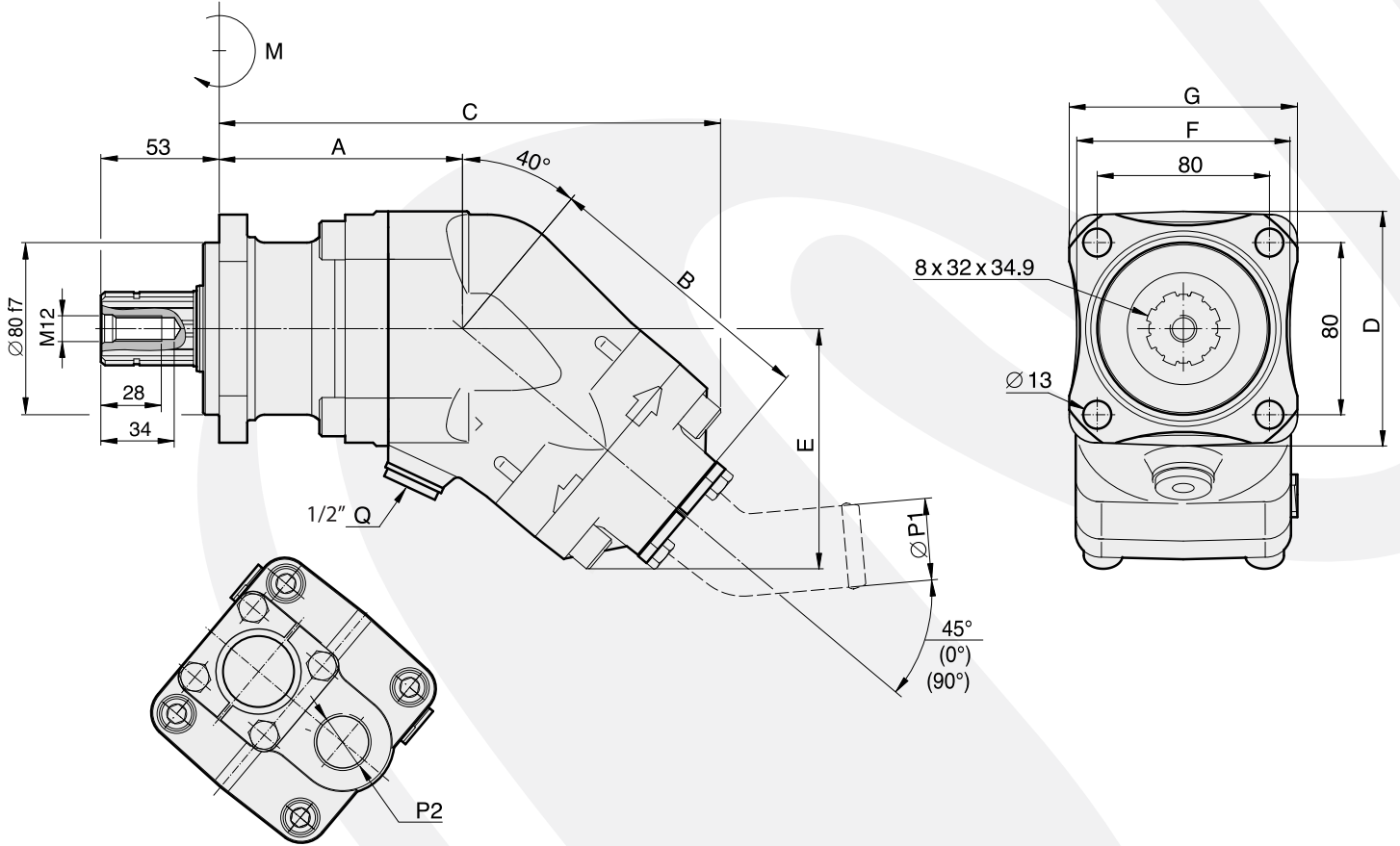


PİSTONLU POMPA

PISTON PUMP

POMPE A PISTON

EKSENEL HİDROLİK POMPA
AXIAL HYDRAULIC PUMP
POMPE HYDRAULIQUE AXIALE



TİP KOD Type Code	A (mm)	B (mm)	C (mm)	D (mm)	E (mm)	F (mm)	G (mm)	Φ P1 Emiş Inlet / Aspiration	Φ P2 Basınç Outlet / Sortie
P-SMS12AXP	94	112	224	100	98	85	99	38 - 50	3 / 4"
P-SMS17AXP	94	112	224	100	98	85	99	38 - 50	3 / 4"
P-SMS25AXP	94	112	224	100	98	85	99	38 - 50	3 / 4"
P-SMS35AXP	94	112	224	100	98	85	99	38 - 50	3 / 4"
P-SMS40AXP	108	130	250	110	110	98	108	38 - 50	3 / 4"
P-SMS45AXP	108	130	250	110	110	98	108	38 - 50	3 / 4"
P-SMS55AXP	108	130	250	110	110	98	108	38 - 50	3 / 4"
P-SMS65AXP	108	130	250	110	110	98	108	38 - 50	3 / 4"
P-SMS85AXP	117	147	275	125	125	98	124	50 - 64	1 "
P-SMS105AXP	117	147	275	125	125	98	124	50 - 64	1 "