



# DİŞLİ POMPALAR GEAR PUMPS POMPES A ENGRENAGE

30 SERİSİ İSO TİP DİŞLİ POMPA  
30 SERIES ISO TYPE GEAR PUMP  
SERIE DE 30 TYPE ISO

## Z-Q-5082-ISO



Uygun Vizkozite Aralığı  
Optimum Viscosity Field  
Viscosité Optimum Convenable

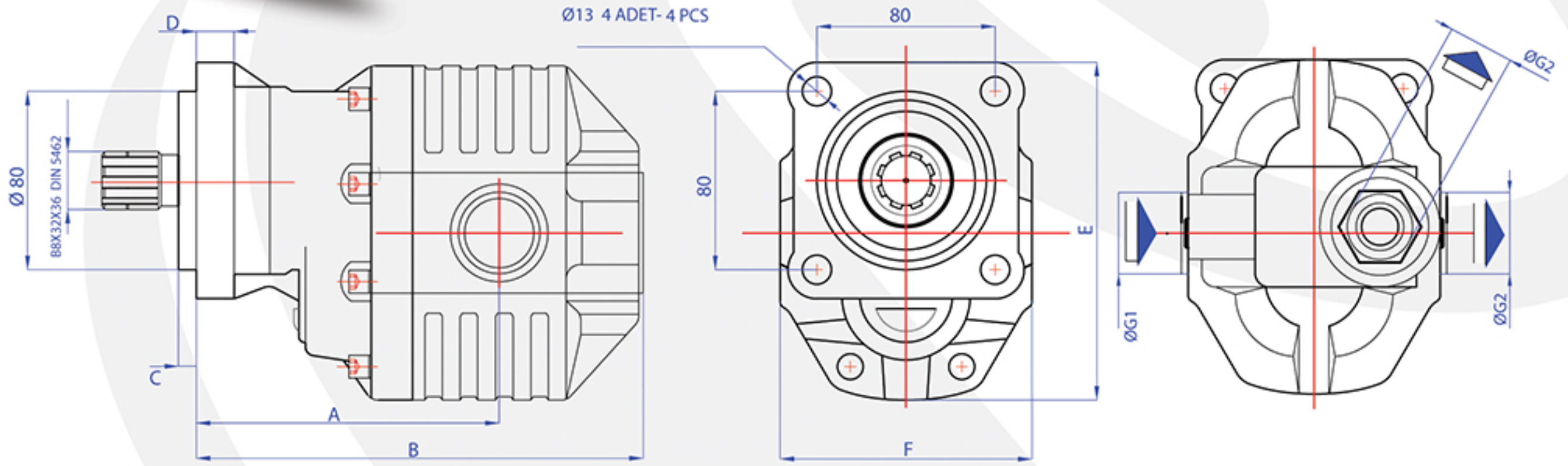
cST15  
cST35

Çalışma Sıcaklığı  
Working Temperature  
Température d'Opération

-10 °C  
+80 °C

Dönüş Yönü  
Direction Of Rotation  
Direction De Rotation

Sağ veya Sol  
Right or Left  
Droite ou Gauche



### TEKNİK VERİLER - TECHNICAL DATAS - DONNES TECHNIQUE

Tip - Kod Type - Code	Debi Verim Deby / Débit 1000 d.dk / Rpm Tr / Min	Çalışma Basıncı Working Pressure Pression de Travail	Test Basıncı Test Pressure Pression d'Essais	Çalışma Devri Revolution Working Puissance de Travail D./Dak R./M. - Tr/Min.	Maksimum Devri Maximum Revolution Puissance Maximum D./Dak R./M. - Tr/Min.	Ağırlık Weight Poid
Z-Q-5017-ISO	17	305 Bar (Max)	330 Bar (Max)	1500	2000	11.10 Kg
Z-Q-5027-ISO	27	295 Bar (Max)	330 Bar (Max)	1500	2000	11.60 Kg
Z-Q-5034-ISO	34	290 Bar (Max)	315 Bar (Max)	1500	2000	12.10 Kg
Z-Q-5043-ISO	43	270 Bar (Max)	295 Bar (Max)	1500	2000	12.60 Kg
Z-Q-5051-ISO	51	230 Bar (Max)	255 Bar (Max)	1500	2000	13.10 Kg
Z-Q-5061-ISO	61	210 Bar (Max)	230 Bar (Max)	1500	2000	13.60 Kg
Z-Q-5082-ISO	82	200 Bar (Max)	220 Bar (Max)	1500	2000	14.40 Kg

Tip / Type	A (mm)	B (mm)	C (mm)	D (mm)	E (mm)	F (mm)	Φ P1 Giriş Inlet / Aspiration	Φ P2 Çıkış Outlet / Sortie
Z-Q-5017-ISO	112	170	8	17	151	117	G 3/4"	G 1/2"
Z-Q-5027-ISO	115	176	8	17	151	117	G 3/4"	G 1/2"
Z-Q-5034-ISO	112	179	8	17	151	117	G 3/4"	G 1/2"
Z-Q-5043-ISO	117	187	8	17	151	117	G 1"	G 3/4"
Z-Q-5051-ISO	122	190	8	17	151	117	G 1"	G 3/4"
Z-Q-5061-ISO	127	197	8	17	151	117	G 1"	G 3/4"
Z-Q-5082-ISO	139	210	8	17	151	117	G1 1/4"	1"