

# DİŞLİ POMPALAR

## GEAR PUMPS

### POMPES A ENGRENAGE

30 SERİSİ T2 TİP DİŞLİ POMPA  
30 SERIES T2 TYPE GEAR PUMP  
SERIE DE 30 TYPE T2

## Z-Q-5082-T2



Uygun Vizkozite Aralığı  
Optimum Viscosity Field  
Viscosité Optimum Convenable

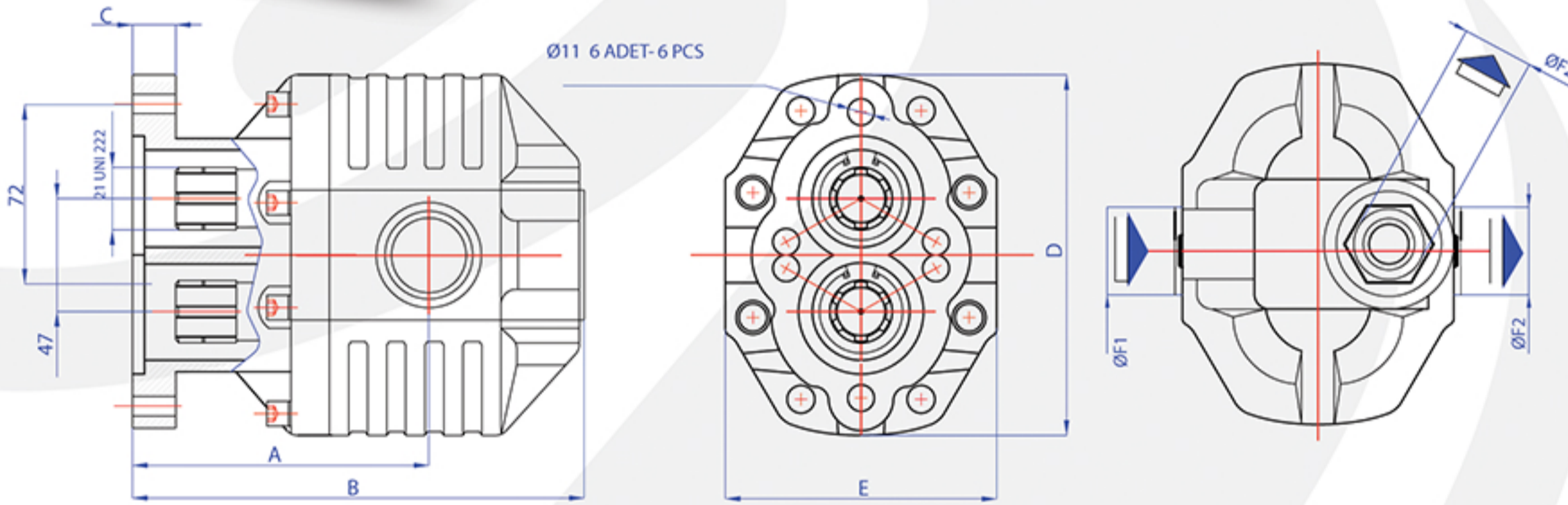
cST15  
cST35

Çalışma Sıcaklığı  
Working Temperature  
Température d'Opération

-10 °C  
+80 °C

Dönüş Yönü  
Direction Of Rotation  
Direction De Rotation

Sağ veya Sol  
Right or Left  
Droite ou Gauche



#### TEKNİK VERİLER - TECHNICAL DATAS - DONNES TECHNIQUE

Tip - Kod Type - Code	Debi Verim Deby / Débit 1000 d.dk / Rpm Tr / Min	Çalışma Basıncı Working Pressure Pression de Travail	Test Basıncı Test Pressure Pression d'Essais	Çalışma Devri Revolution Working Puissance de Travail D/Dak R/M - Tr/Min.	Maksimum Devir Maximum Revolution Puissance Maximum D/Dak R/M - Tr/Min.	Ağırlık Weight Poid
Z-Q-5017-T2	17	305 Bar (Max)	330 Bar (Max)	1500	2000	9.70 Kg
Z-Q-5027-T2	27	295 Bar (Max)	330 Bar (Max)	1500	2000	10.40 Kg
Z-Q-5034-T2	34	290 Bar (Max)	315 Bar (Max)	1500	2000	10.70 Kg
Z-Q-5043-T2	43	270 Bar (Max)	295 Bar (Max)	1500	2000	11.40 Kg
Z-Q-5051-T2	51	230 Bar (Max)	255 Bar (Max)	1500	2000	11.70 Kg
Z-Q-5061-T2	61	210 Bar (Max)	230 Bar (Max)	1500	2000	12.00 Kg
Z-Q-5082-T2	82	200 Bar (Max)	220 Bar (Max)	1500	2000	12.70 Kg

Tip / Type	A (mm)	B (mm)	C (mm)	D (mm)	E (mm)	Φ P1 Giriş Inlet / Aspiration	Φ P2 Çıkış Outlet / Sortie
Z-Q-5017-T2	100	158	17	151	117	G 3/4"	G 1/2"
Z-Q-5027-T2	103	164	17	151	117	G 3/4"	G 1/2"
Z-Q-5034-T2	100	167	17	151	117	G 3/4"	G 1/2"
Z-Q-5043-T2	105	174	17	151	117	G 1"	G 3/4"
Z-Q-5051-T2	110	178	17	151	117	G 1"	G 3/4"
Z-Q-5061-T2	115	185	17	151	117	G1"	G 3/4"
Z-Q-5082-T2	127	198	17	151	117	G1 1/4"	1"