



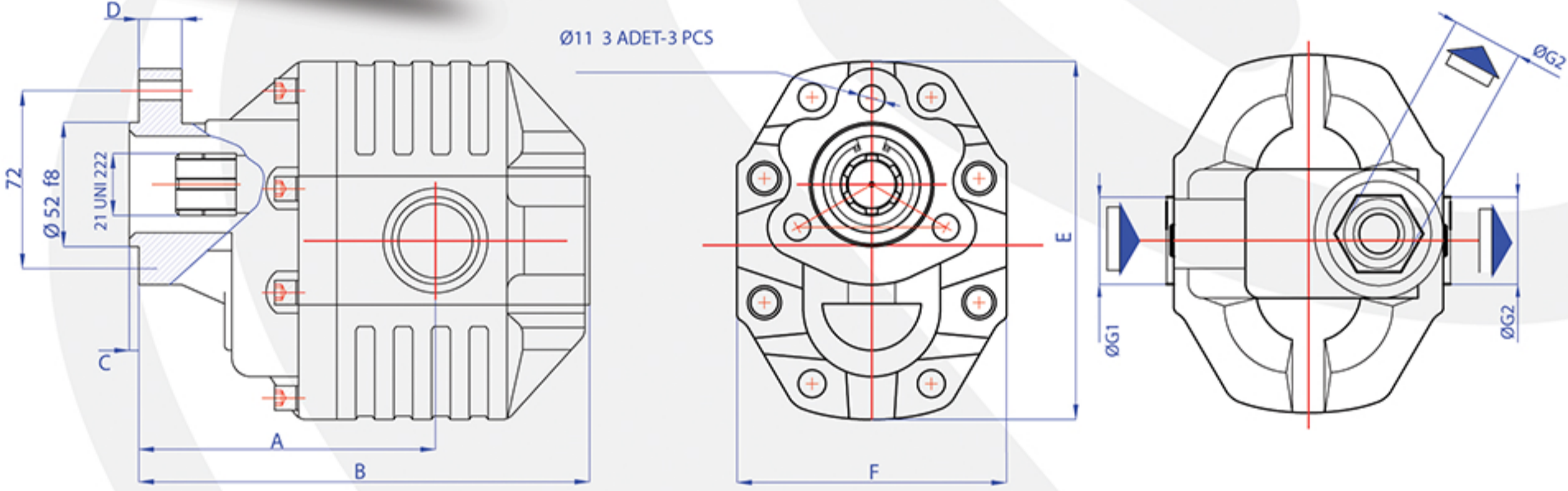
DİŞLİ POMPALAR GEAR PUMPS POMPES A ENGRENAGE

30 SERİSİ UNİ TİP DİŞLİ POMPA
30 SERIES UNİ TİPE GEAR PUMP
SERIE DE 30 TYPE UNİ

Z-Q-5082-T1



Uygun Vizkozite Aralığı Optimum Viscosity Field Viscosité Optimum Convenable	cST15 cST35
Çalışma Sıcaklığı Working Temperature Température d'Opération	-10 °C +80 °C
Dönüş Yönü Direction Of Rotation Direction De Rotation	Sağ veya Sol Right or Left Droite ou Gauche



TEKNİK VERİLER - TECHNICAL DATAS - DONNES TECHNIQUE

Tip - Kod Type - Code	Debi Verim Deby / Débit 1000 d.dk / Rpm Tr / Min	Çalışma Basıncı Working Pressure Pression de Travail	Test Basıncı Test Pressure Pression d'Essais	Çalışma Devri Revolution Working Puissance de Travail D./Dak R./M. - Tr/Min.	Maksimum Devir Maximum Revolution Puissance Maximum D./Dak R./M. - Tr/Min.	Ağırlık Weight Poid
Z-Q-5017-T1	17	305 Bar (Max)	330 Bar (Max)	1500	2000	9.20 Kg
Z-Q-5027-T1	27	295 Bar (Max)	330 Bar (Max)	1500	2000	9.70 Kg
Z-Q-5034-T1	34	290 Bar (Max)	315 Bar (Max)	1500	2000	10.20 Kg
Z-Q-5043-T1	43	270 Bar (Max)	295 Bar (Max)	1500	2000	10.70 Kg
Z-Q-5051-T1	51	230 Bar (Max)	255 Bar (Max)	1500	2000	11.20 Kg
Z-Q-5061-T1	61	210 Bar (Max)	230 Bar (Max)	1500	2000	11.70 Kg
Z-Q-5082-T1	82	200 Bar (Max)	220 Bar (Max)	1500	2000	12.30 Kg

Tip / Type	A (mm)	B (mm)	C (mm)	D (mm)	E (mm)	F (mm)	Φ P1 Giriş Inlet / Aspiration	Φ P2 Çıkış Outlet / Sortie
Z-Q-5017-T1	100	158	4	17	151	117	G 3/4"	G 1/2"
Z-Q-5027-T1	103	164	4	17	151	117	G 3/4"	G 1/2"
Z-Q-5034-T1	100	167	4	17	151	117	G 3/4"	G 1/2"
Z-Q-5043-T1	105	174	4	17	151	117	G 1"	G 3/4"
Z-Q-5051-T1	110	178	4	17	151	117	G 1"	G 3/4"
Z-Q-5061-T1	115	185	4	17	151	117	G 1"	G 3/4"
Z-Q-5082-T1	127	198	4	17	151	117	G 1/4"	G 1"