



PİSTONLU POMPALAR

PISTON PUMPS

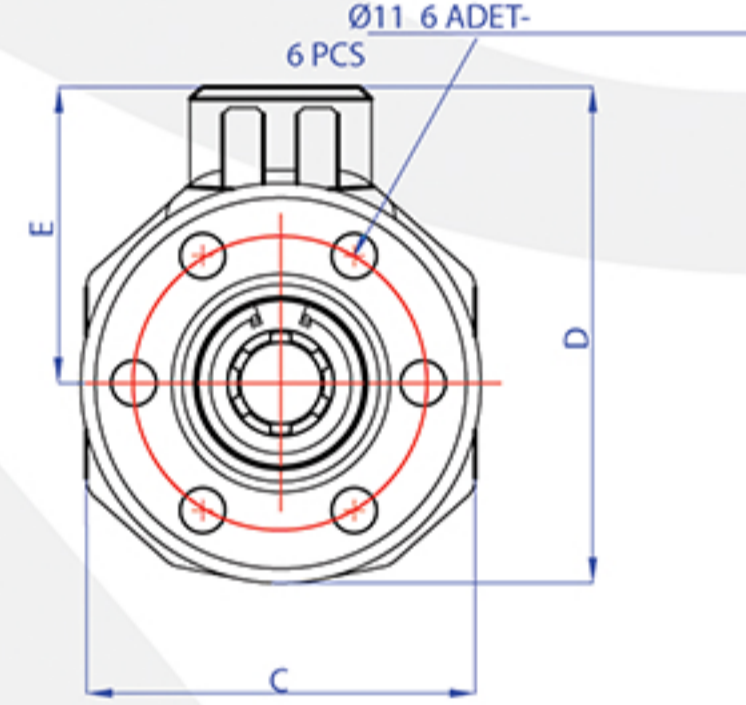
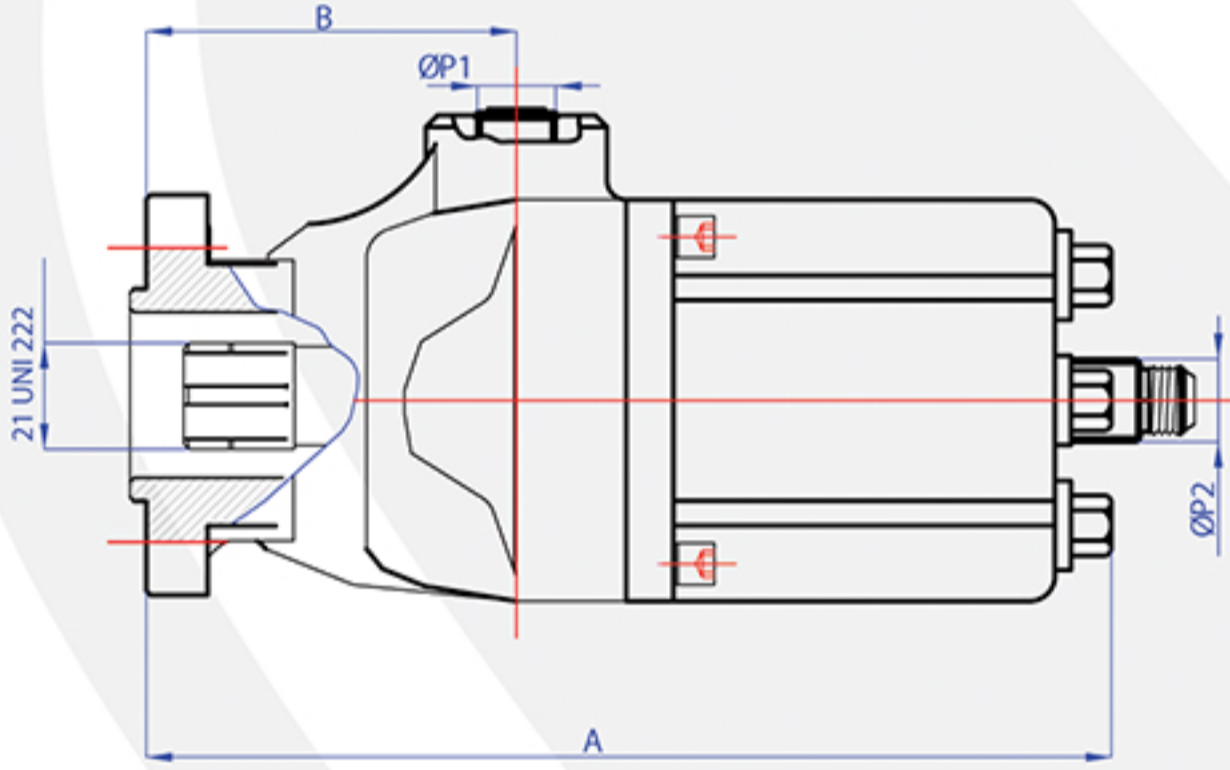
POMPES A PISTON

PİSTONLU HİDROLİK POMPA
PISTON HYDRAULIC PUMP
POMPE HYDRAULIQUE A PISTONS

P-6060-03



Uygun Vizkozite Aralığı Optimum Viscosity Field Viscosité Optimum Convenable	cST15 cST35
Çalışma Sıcaklığı Working Temperature Température d'Opération	-10 °C +80 °C
Dönüş Yönü Direction Of Rotation Direction De Rotation	Sağ ve Sol Right & Left Droite & Gauche



TEKNİK VERİLER - TECHNICAL DATAS - DONNES TECHNIQUE

Tip - Kod Type - Code	Debi Verim Deby / Débit 1000 d.dk / Rpm Tr / Min	Çalışma Basıncı Working Pressure Pression de Travail	Test Basıncı Test Pressure Pression d'Essais	Çalışma Devri Revolution Working Puissance de Travail D/Dak R/M - Tr/Min.	Maksimum Devir Maximum Revolution Puissance Maximum D/Dak R/M - Tr/Min.	Ağırlık Weight Poid
P-6060-03	55 Lt	235 Bar	300 Bar	1300	1500	14.93
P-6045-03	45 Lt	250 Bar	300 Bar	1300	1500	14.88
P-6035-03	35 Lt	250 Bar	300 Bar	1300	1500	14.83
P-6027-03	27 Lt	250 Bar	300 Bar	1300	1500	14.78
P-6017-03	17 Lt	250 Bar	300 Bar	1300	1500	14.73

Tip / Type	A (mm)	B (mm)	C (mm)	D (mm)	E (mm)	Ø P1 Giriş Inlet / Aspiration	Ø P2 Çıkış Outlet / Sortie
P-6060-03	247	86	102	131	75	G 1 1/4"	1 1/6"
P-6045-03	247	86	102	131	75	G 1 1/4"	1 1/6"
P-6035-03	247	86	102	131	75	G 1 1/4"	1 1/6"
P-6027-03	247	86	102	131	75	G 1 1/4"	1 1/6"
P-6017-03	247	86	102	131	75	G 1 1/4"	1 1/6"