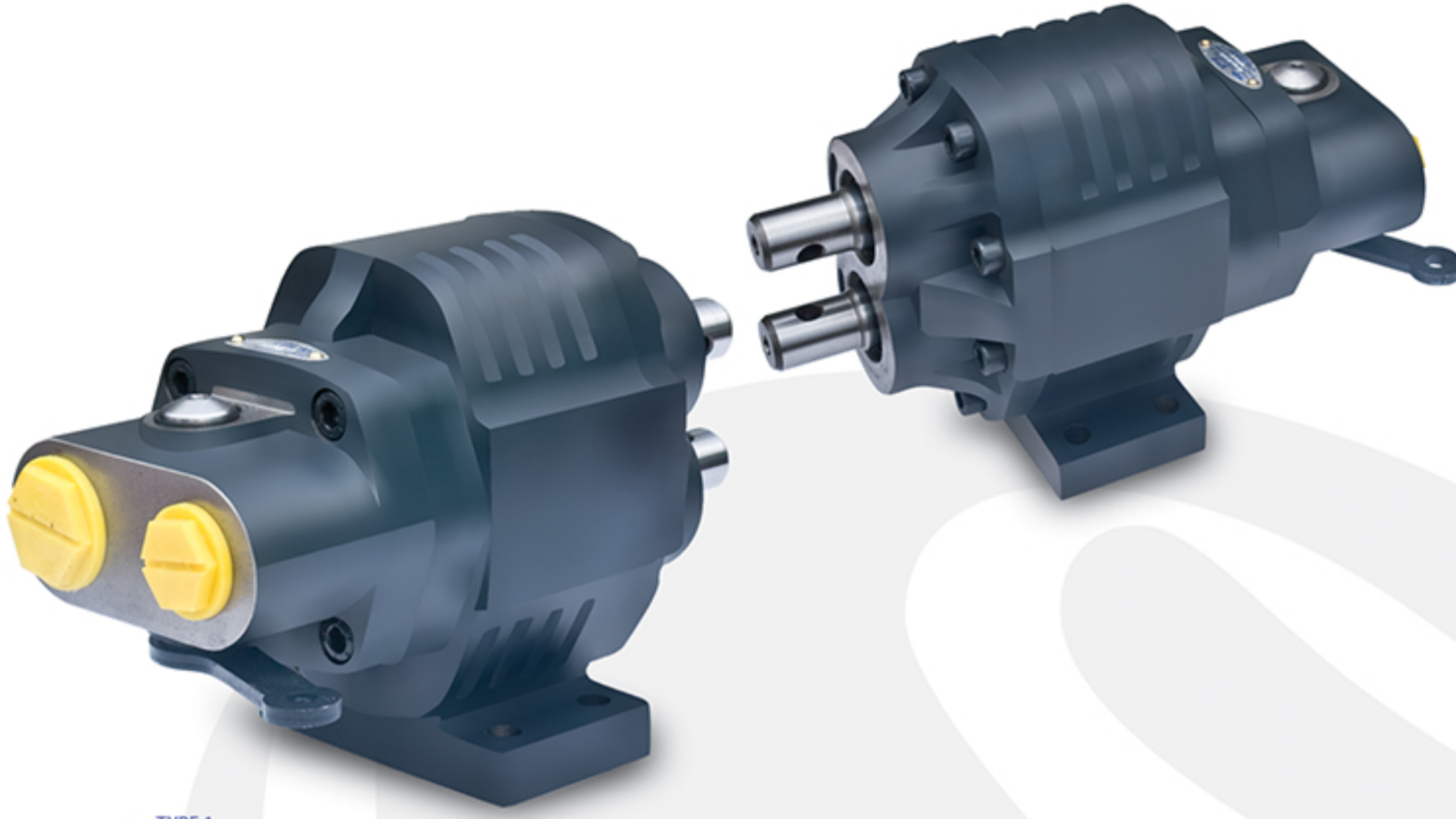




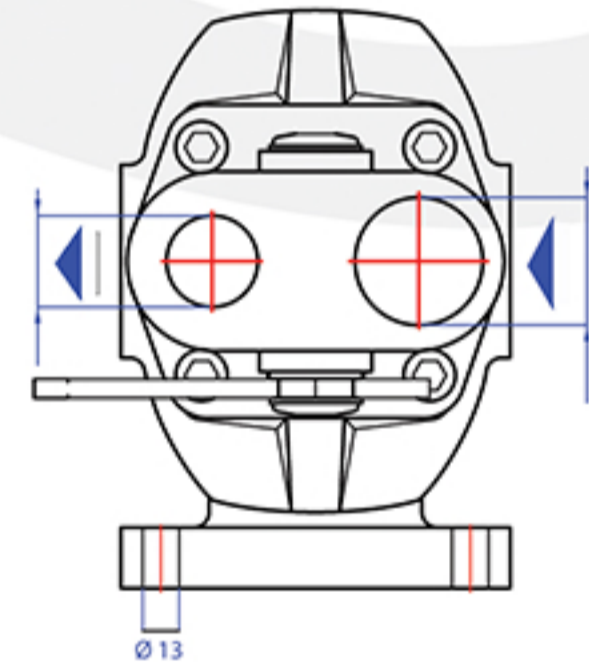
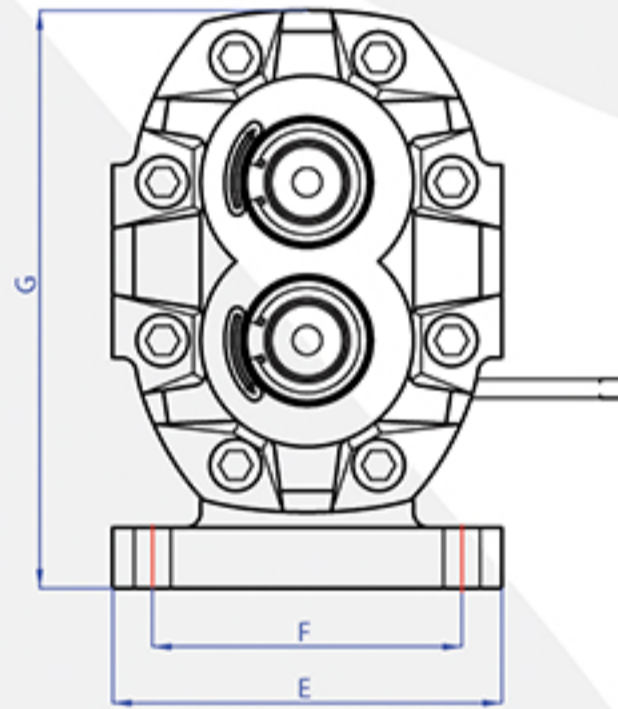
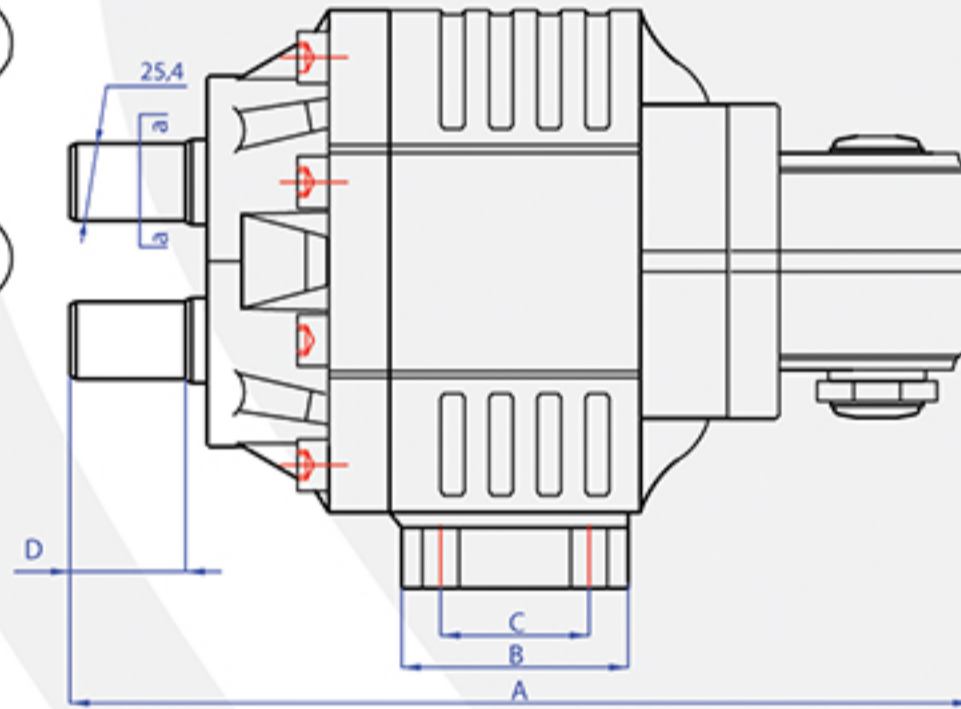
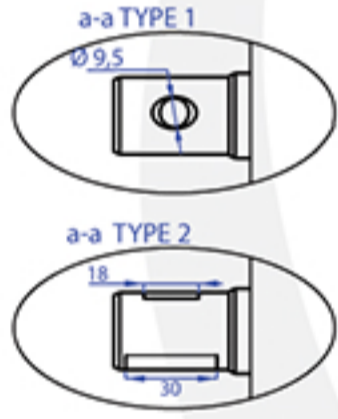
DİŞLİ POMPALAR GEAR PUMPS POMPES A ENGRENAGE

ŞAFT BAĞLANTILI MEKANİK VANALI DİŞLİ POMPA
SHAFT CONNECTION MECHANIC VALVE GEAR PUMP
POMPE A ENGRENAGE TYPE DE CONNECTION PAR TRANS. A VALVE MECANIQUE

Z-W-5061



Uygun Vizkozite Aralığı Optimum Viscosity Field Viscosité Optimum Convenable	cST15 cST35
Çalışma Sıcaklığı Working Temperature Température d'Opération	-10 °C +80 °C
Dönüş Yönü Direction Of Rotation Direction De Rotation	Sağ ve Sol Right & Left Droite & Gauche



TEKNİK VERİLER - TECHNICAL DATAS - DONNES TECHNIQUE

Tip - Kod Type - Code	Debi Verim Deby / Débit 1000 d.dk / Rpm Tr / Min	Çalışma Basıncı Working Pressure Pression de Travail	Test Basıncı Test Pressure Pression d'Essais	Çalışma Devri Revolution Working Puissance de Travail D./Dak R./M. - Tr/Min.	Maksimum Devir Maximum Revolution Puissance Maximum D./Dak R./M. - Tr/Min.	Ağırlık Weight Poid
Z-W-5043	43	270 Bar (Max)	295 Bar (Max)	1500	2000	12.90 Kg
Z-W-5051	51	230 Bar (Max)	255 Bar (Max)	1500	2000	14.10 Kg
Z-W-5061	61	210 Bar (Max)	230 Bar (Max)	1500	2000	17.80 Kg
Z-W-5080	80	200 Bar (Max)	220 Bar (Max)	1500	2000	19.80 Kg
Z-W-5110	110	190 Bar (Max)	210 Bar (Max)	1500	2000	20.80 Kg

Tip / Type	A (mm)	B (mm)	C (mm)	D (mm)	E (mm)	F (mm)	G (mm)	Φ P1 Giriş Inlet / Aspiration	Φ P2 Çıkış Outlet / Sortie
Z-W-5043	230	50	-	37	126	100	160	G 1"	G 1"
Z-W-5051	234	50	-	37	126	100	160	G1"	G 1"
Z-W-5061	265	55	-	37	130	100	190	G1 1/4"	G 1"
Z-W-5080	274	63	40	37	130	100	190	G1 1/4"	G 1"
Z-W-5110	286	75	45	37	130	100	190	G1 1/4"	G 1"