



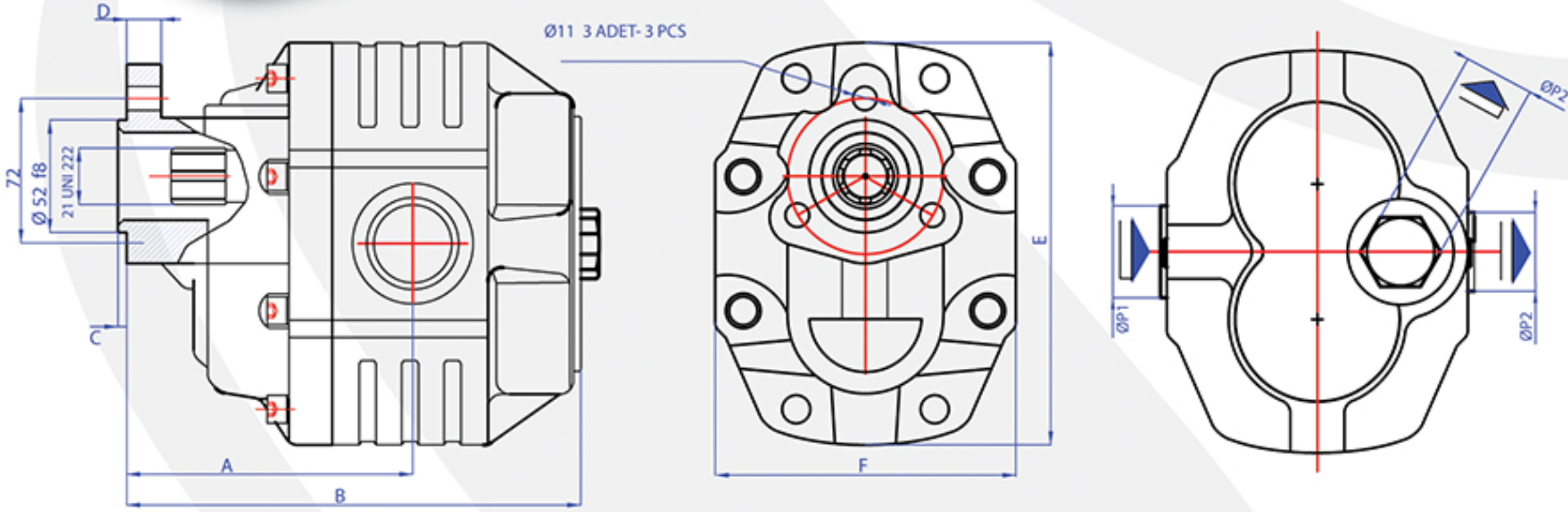
DİŞLİ POMPALAR GEAR PUMPS POMPES A ENGRENAGE

40 SERİSİ T1 TİP BAĞLANTILI DİŞLİ POMPA
40 SERIES T1 GEAR PUMP AQUIPLE VALVE
POMPE A ENGRENAGE SERIE DE 40 TYPE DE CONNECTION T1

Z-Q-7087-T1



| | |
|--|---|
| Uygun Vizkozite Aralığı Optimum Viscosity Field Viscosité Optimum Convenable | cST15 cST35 |
| Çalışma Sıcaklığı Working Temperature Température d'Opération | -10 °C +80 °C |
| Dönüş Yönü Direction Of Rotation Direction De Rotation | Sağ veya Sol Right or Left Droite ou Gauche |



TEKNİK VERİLER - TECHNICAL DATAS - DONNES TECHNIQUE

| Tip - Kod Type - Code | Debi Verim Deby / Débit 1000 d.dk / Rpm Tr / Min | Çalışma Basıncı Working Pressure Pression de Travail | Test Basıncı Test Pressure Pression d'Essais | Çalışma Devri Revolution Working Puissance de Travail D./Dak R./M. - Tr/Min. | Maksimum Devir Maximum Revolution Puissance Maximum D./Dak R./M. - Tr/Min. | Ağırlık Weight Poid |
|--------------------------|---|--|--|---|---|---------------------------|
| Z-Q-7063-T1 | 63 | 290 Bar (Max) | 315 Bar (Max) | 1500 | 2000 | 17.60 Kg |
| Z-Q-7073-T1 | 73 | 285 Bar (Max) | 305 Bar (Max) | 1500 | 2000 | 18.00 Kg |
| Z-Q-7087-T1 | 87 | 255 Bar (Max) | 290 Bar (Max) | 1500 | 2000 | 18.50 Kg |
| Z-Q-7109-T1 | 109 | 235 Bar (Max) | 270 Bar (Max) | 1500 | 2000 | 19.50 Kg |
| Z-Q-7133-T1 | 133 | 215 Bar (Max) | 250 Bar (Max) | 1500 | 2000 | 21.00 Kg |
| Z-Q-7151-T1 | 151 | 175 Bar (Max) | 220 Bar (Max) | 1500 | 2000 | 21.50 Kg |

| Tip / Type | A (mm) | B (mm) | C (mm) | D (mm) | E (mm) | F (mm) | Φ P1 Giriş Inlet / Aspiration | Φ P2 Çıkış Outlet / Sortie |
|-------------|--------|--------|--------|--------|--------|--------|----------------------------------|-------------------------------|
| Z-Q-7063-T1 | 136 | 192 | 4 | 17 | 185 | 150 | G 1" | G 3/4" |
| Z-Q-7073-T1 | 138 | 197 | 4 | 17 | 185 | 150 | G 1" | G 3/4" |
| Z-Q-7087-T1 | 141 | 200 | 4 | 17 | 185 | 150 | G1 1/4" | G 1" |
| Z-Q-7109-T1 | 149 | 208 | 4 | 17 | 185 | 150 | G1 1/4" | G 1" |
| Z-Q-7133-T1 | 155 | 214 | 4 | 17 | 185 | 150 | G1 1/4" | G 1" |
| Z-Q-7151-T1 | 163 | 221 | 4 | 17 | 185 | 150 | G1 1/4" | G 1" |